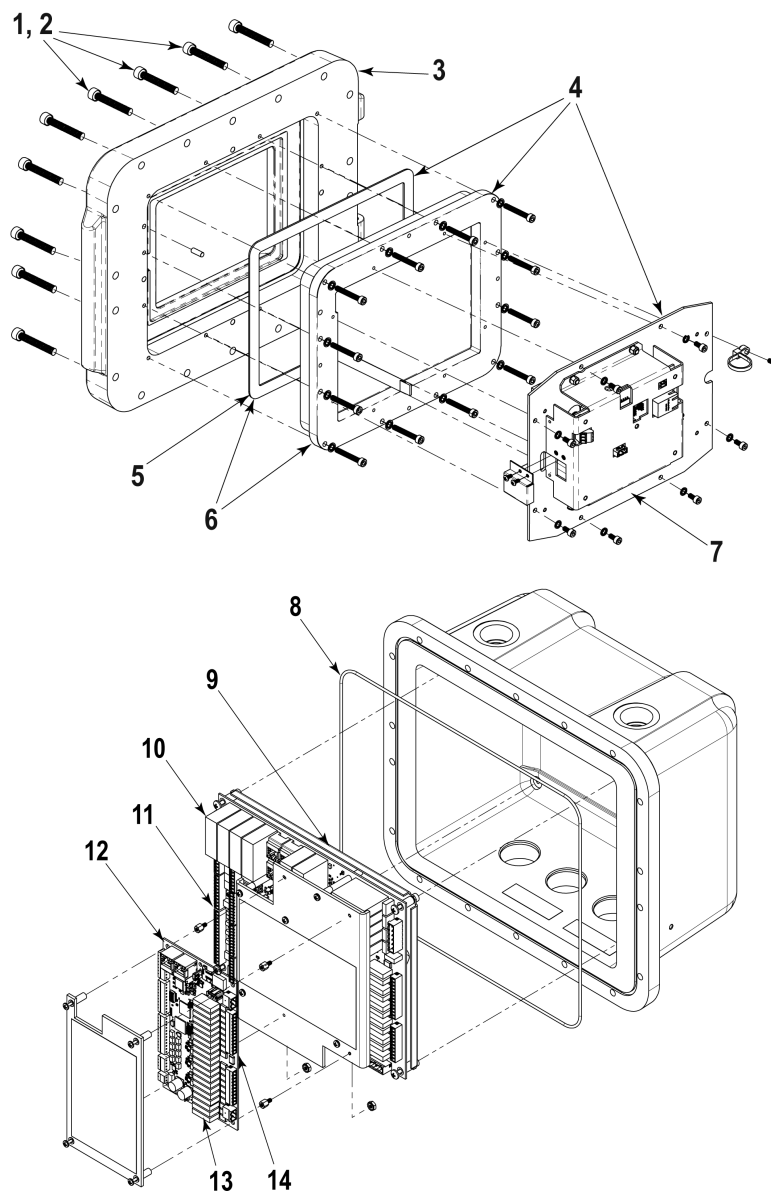


AccuLoad IV Models ST, QT, N4, SA, and DET

Bulletin PO06200 Issue/Rev. 0.2 (1/23)

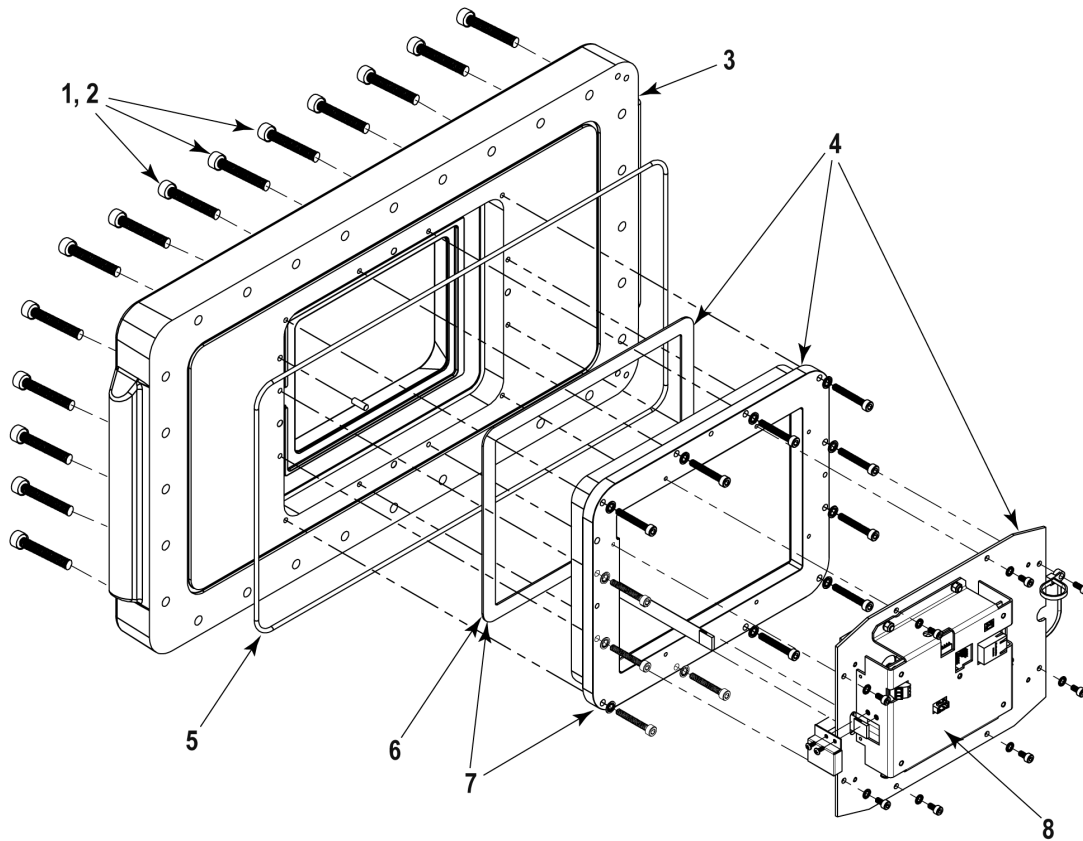
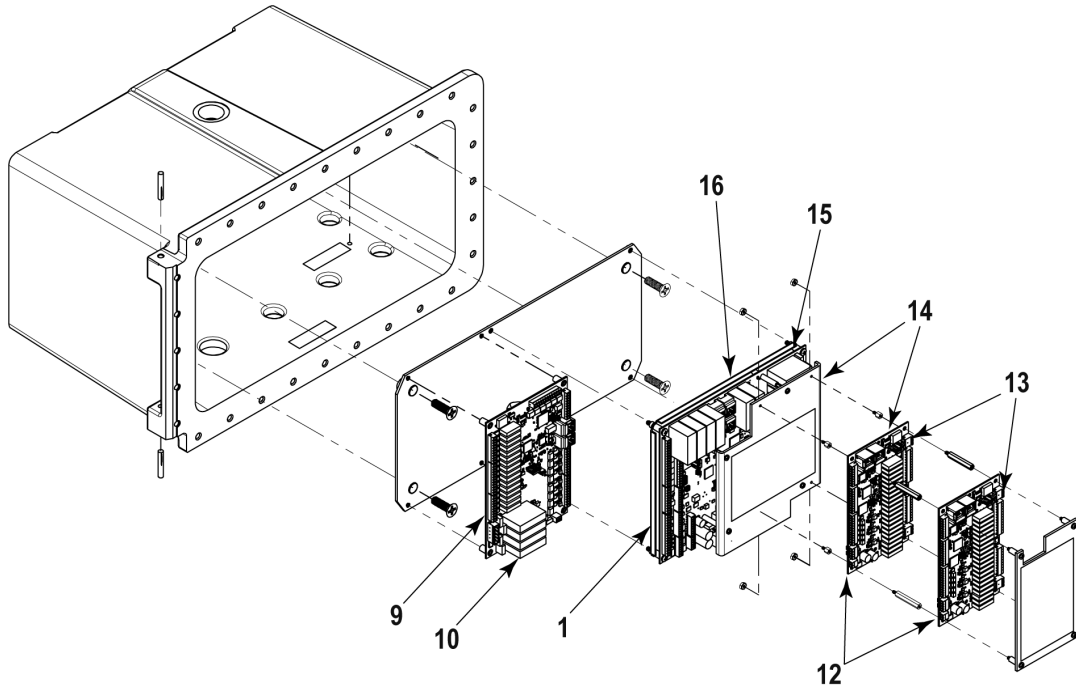
Model ST



Model ST				
Item	Notes	Description	Quantity	Part Number
1		Cover bolts (non-sealing) (pack of 6)	16	P8000016691
2		Cover bolts (sealing) (pack of 2)	2	P8000016692
3		Cover ALIV ST	1	P8000016680
4		Replacement display kit (THMI and touchscreen assembly)		
		with ALIV firmware	1	P8000018712
		with DET firmware	1	P569227
5		Touchscreen gasket	1	P8000007952
6	1	Touchscreen with gasket	1	P8000016693
7	1	Display module (THMI)		
		with ALIV firmware	1	P8000009118
		with DET firmware	1	P569226
8		Cover seal O-ring	1	646133401
9	1, 2	A4M replacement board		
		A4M with ALIV firmware	1	P8000011029
		A4M with DET firmware	1	P569172
10		Analog module		
	1	RTD	Optional	235562101
	1	4-20 mA input	Optional	235553101
	1	4-20 mA output	Optional	235565101
	1	1-5 VDC input	Optional	235559101
	1	1-5 VDC output	Optional	235568101
11		A4M connector kit	1	P8000011545
12	1	A4I replacement board	Optional	P8000010107
13	1	AC output relay (A4M, A4I)	11 or 31	644695420
14		A4I connector kit	Optional	P8000011547
15	1	Screen protector 8.4 inch (pack of 5)	1	P8000018513

Notes	
Note	Description
1	Suggested spare.
2	Remove and retain the license key (dongle) and other components. See the AccuLoad IV Installation and Maintenance Manual (MN06201) for details.

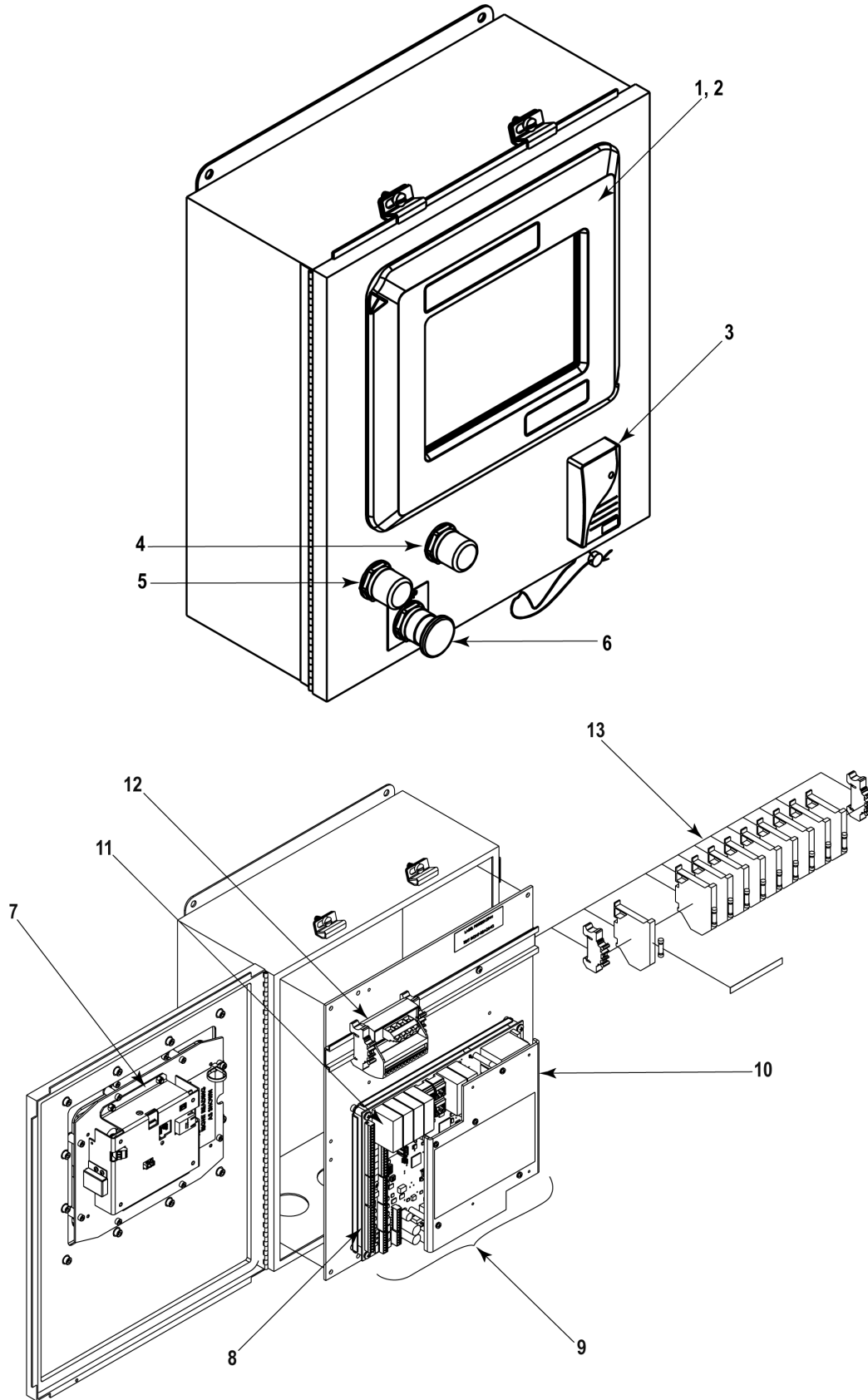
Model QT



Model QT				
Item	Notes	Description	Quantity	Part Number
1		Cover bolts (non-sealing) (pack of 6)	26	P8000016691
2		Cover bolts (sealing) (pack of 2)	2	P8000016692
3		Cover ALIV QT	1	P8000008305
4		Replacement display kit (THMI and touchscreen assembly) with ALIV firmware	1	P8000018712
5		Cover seal O-ring	1	553364001
6		Touchscreen gasket	1	P8000007952
7	1	Touchscreen with gasket	1	P8000016693
8	1	Display module (THMI) with ALIV firmware	1	P8000009118
9		A4B connector kit	1	P8000011546
10	1	A4B replacement board	1	P8000010099
11		A4M connector kit	1	P8000011545
12	1	A4I replacement board	Optional	P8000010107
13		A4I connector kit	Optional	P8000011547
14	1	AC output relay (A4M, A4B, A4I)	27/47/67	644695420
15	1, 2	A4M replacement board with ALIV firmware	1	P8000011029
16		Analog module:		
	1	RTD	Optional	235562101
	1	4-20 mA input	Optional	235553101
	1	4-20 mA output	Optional	235565101
	1	1-5 VDC input	Optional	235559101
	1	1-5 VDC output	Optional	235568101
17	1	Screen protector 8.4 inch (pack of 5)	1	P8000018513

Notes	
Note	Description
1	Suggested spare.
2	Remove and retain the license key (dongle) and other components. See the AccuLoad IV Installation and Maintenance Manual (MN06201) for details.

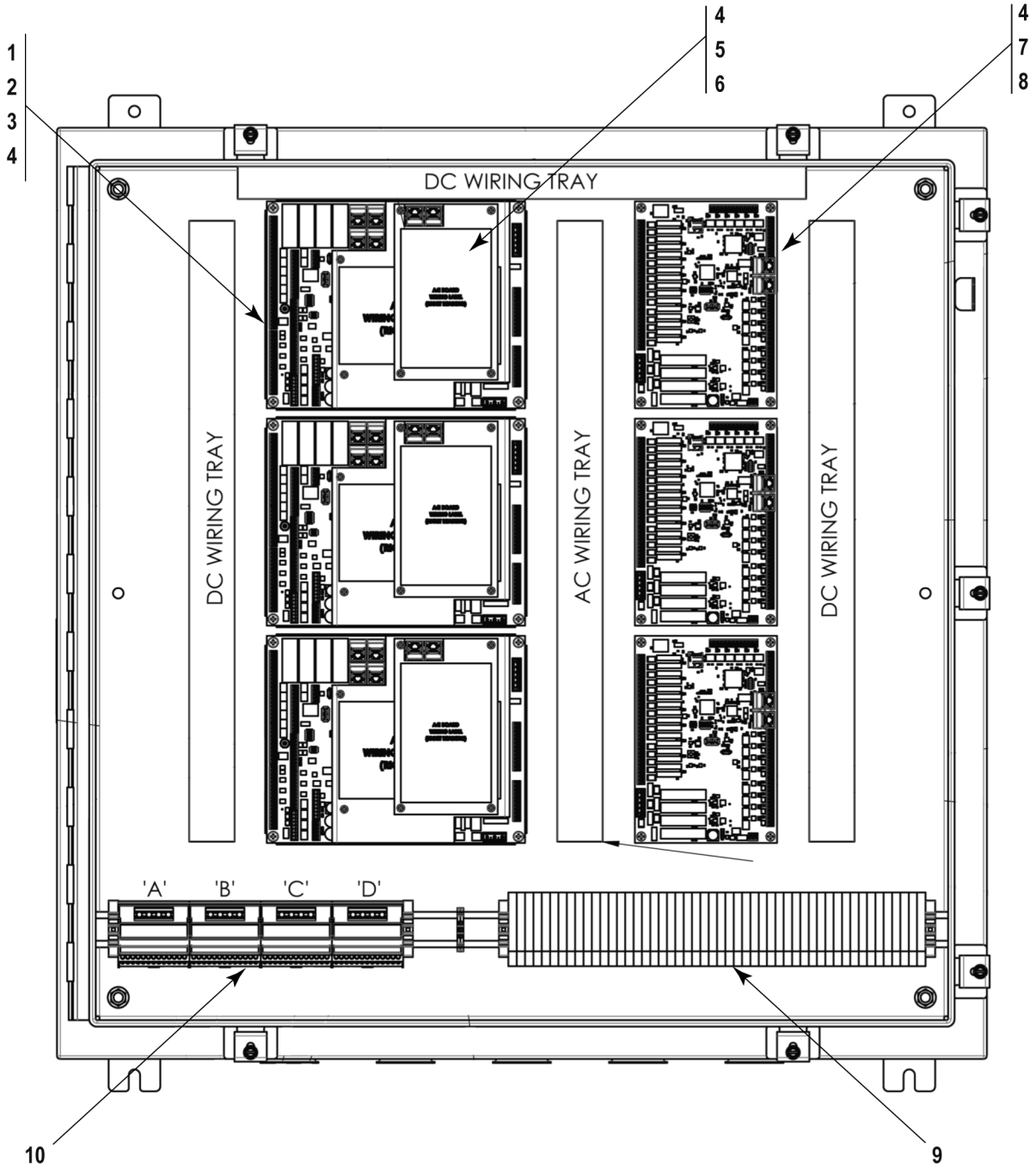
Models N4, MMI, and DET



Models N4, MMI, and DET				
Item	Notes	Description	Quantity	Part Number
1	1	Touchscreen assembly		
		ALIV MMI/N4 touchscreen	1	P8000019314
		DET N4 Touchscreen	1	P8000019315
2		Display bezel assembly with THMI		
		ALIV MMI/N4 display bezel assembly with THMI	1	P8000018636
		DET N4 display bezel assembly with THMI	1	P8000018635
3	1	Card reader assembly	1	P8000011271
4		Red indicator light	1	P8000018646
5		Green indicator light	1	P8000018647
6		Stop button, black	1	645521415
7	1	Display module (THMI)		
		with ALIV firmware	1	P8000009118
		with DET firmware	1	P569226
8		A4M connector kit	1	P8000011545
9	1, 2	A4M replacement board		
		A4M with ALIV firmware	1	P8000011029
		A4M with DET firmware	1	P569172
10	1	AC output relay (A4M, A4B, A4I)	11 or 31	644695420
11		Analog module		
	1	RTD	Optional	235562101
	1	4-20 mA input	Optional	235553101
	1	4-20 mA output	Optional	235565101
	1	1-5 VDC input	Optional	235559101
	1	1-5 VDC output	Optional	235568101
12	3	Terminal block	Optional	645052406
13	3	Fuse holder	Optional	645052407
14	1	Screen protector 8.4 inch (pack of 5)	1	P8000018513

Notes	
Note	Description
1	Suggested spare.
2	Remove and retain the license key (dongle) and other components. See the AccuLoad IV Installation and Maintenance Manual (MN06201) for details.
3	N4 and MMI only.

Model SA-FCM



Model SA—FCM				
Item	Notes	Description	Quantity	Part Number
1	1, 2	A4M replacement board with ALIV firmware	1 to 4	P8000011029
2		A4M connector kit	1 to 4	P8000011545
3		Analog module		
	1	RTD	Optional	235562101
	1	4-20 mA input	Optional	235553101
	1	4-20 mA output	Optional	235565101
	1	1-5 VDC input	Optional	235559101
	1	1-5 VDC output	Optional	235568101
4	1	AC output relay (A4M, A4B, A4I)	27/47/67	644695420
5	1	A4I replacement board	Optional	P8000010107
6		A4I connector kit	Optional	P8000011547
7	1	A4B replacement board	1 to 4	P8000010099
8		A4B connector kit	1 to 4	P8000011546
9		Fuse holder	Optional	645052407
10		Terminal block	1 to 4	645052406

Notes	
Note	Description
1	Suggested spare.
2	Remove and retain the license key (dongle) and other components. See the AccuLoad IV Installation and Maintenance Manual (MN06201) for details.

The specifications contained herein are subject to change without notice and any user of said specifications should verify from the manufacture that the specifications are currently in effect. Otherwise, the manufacturer assumes no responsibility for the use of specifications which may have been changed and are no longer in effect.

TechnipFMC.com

Copyright © 2023 TechnipFMC plc. All rights reserved.

TechnipFMC Corporate Headquarters
13460 Lockwood Road
Building S01
Houston, TX 77044 USA
+1 281.591.4000

USA Operations
1602 Wagner Avenue
Erie, PA 16510 USA
+1 814.898.5000

Germany Operations
Smith Meter GmbH
Regentstrasse 1
25474 Ellerbek, Germany
+49 4101 304.0