



## **HART® SMARTVIEW**

The smart display for optimized tank measurement



The Honeywell Enraf SmartRadar FlexLine establishes a new level of precision and flexibility in tank inventory measurement. HART SmartView is the ideal companion for the SmartRadar FlexLine, offering clear data viewing, high level diagnostic information, local configuration, either at ground level, on the radar itself, or both. Navigation is simple and intuitive, making the configuration a breeze. The display can be an internal part of the SmartRadar FlexLine and is available in two stand alone versions either as a tank side indicator or as a portable tool. The HART SmartView is intrinsically safe and suitable for use in hazardous environments. Ground level indication reduces the frequency of tank climbing and as a result increases site safety. The HART SmartView can be used as W&M approved visualization of the product level measured by the SmartRadar FlexLine.

## Technical specifications

### Display

Type : LCD graphic display 64 x 128 dotsM

### Mechanical

Keyboard : 5 key touch panel

Dimensions (w x h x d) : 247 mm x 266 mm x 100 mm (9<sup>3/4"</sup> x 10<sup>7/16"</sup> x 3<sup>15/16"</sup>)

Weight : 5 kg (11 lb)

Cable entry : M20 or 3/4" NPT (with adapter)

### Environmental

Ambient temperature : -25 °C to +65 °C (-13 °F to +149 °F)

Protection class : IP66 / IP67, according to EN-IEC 60529 (NEMA 4)

Safety : Explosion proof

- Zone 1 Ex ia IIB T4 according to IECEx

- II 2G Ex ia IIB T4 according to ATEX

- Class I, Division 1, Groups C and D, according to ANSI NFPA 70 (FM, USA) pending

### Electrical

Cable connection : 2 wire

### Materials

Housing : Chrome free coated aluminum (< 0.5 % magnesium)

Electrical

Power supply : Intrinsically safe from SmartRadar FlexLineTransmission

### Transmission

Type : Hart physical layer Enraf SmartView protocol

Cabling (i.s.) : Twisted pair shielded  $R_{max} = 25 \Omega / \text{Line}$ . The maximum cable length is determined by the total resistance (sum of load resistor and cable resistance) and total capacitance (sum of cable capacitance and the capacitances of the connected devices), refer to HART Communication Foundation document number HCF\_SPEC-54 (FSK Physical Layer Specification) for detailed length calculations

V\_Loop [Exia} IIB

GND\_loop  $U_0 = 23.1 \text{ V}$

$I_0 = 124 \text{ mA}$

$P_0 = 0.6 \text{ W}$

$C_0 = 1.0 \text{ }^\circ\text{F}$

$L_0 = 9 \text{ mH}$

### Options

Mounting brackets : For railing 11<sup>1/2"</sup>, 2" or 3"



## Identification code

### Pos 1 Device selection

- H HART SmartView (Standalone)
- C Portable HART SmartView (for local Commissioning)

### Pos 2 Approval

- G Without sealing facilities
- X With local W&M approval and verification (specify National Metrology Institute) (only if Pos 1 = H)

### Pos 3 Type of device

- S Standard version

### Pos 4 Mounting position

- W Wall mounting (not if Pos 1 = C)
- A Mounting on railing with 1 1/2" bracket (not if Pos 1 = C)
- B Mounting on railing with 2" bracket (not if Pos 1 = C)
- C Mounting on railing with 3" bracket (not if Pos 1 = C)
- N No mounting (only if Pos 1 = C)

### Pos 5 Safety approvals

- A ATEX / IEC Ex
  - F FM
  - C CSA Pending
- For other safety approvals, consult factory

### Pos 6 Cable entry

- S M20 x 0.5 (only if Pos 1 = H)
- C 3/4" NPT (only if Pos 1 = H)
- N No cable entry (only if Pos 1 = C)

### Pos 7 Position not used

### Pos 8 Separator

- Z

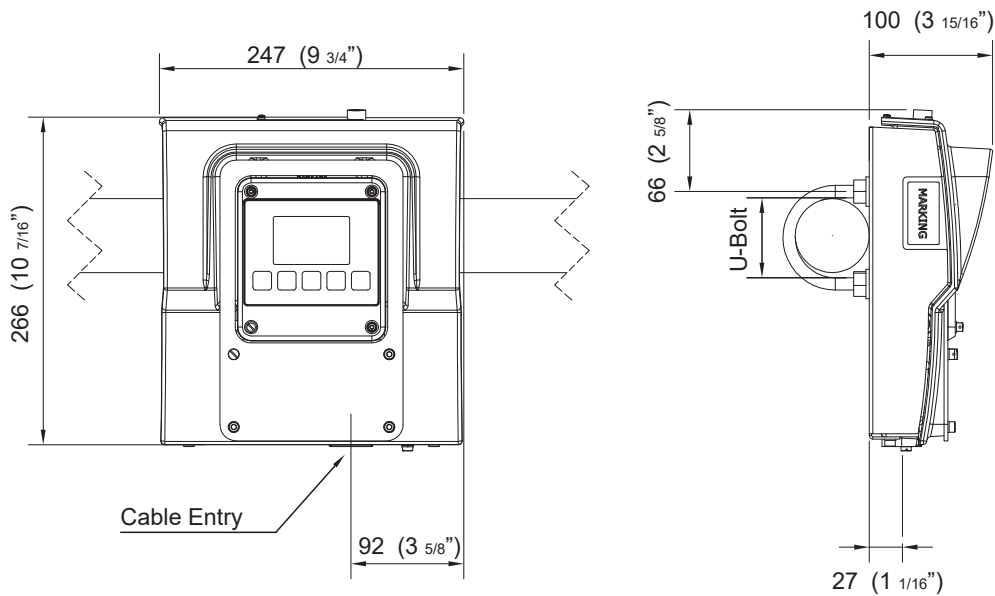
### Pos 9 Tag plate

- Z None
- T SS Tag plate (only if Position 1 = H)



## Dimensional drawing

### HART SmartView

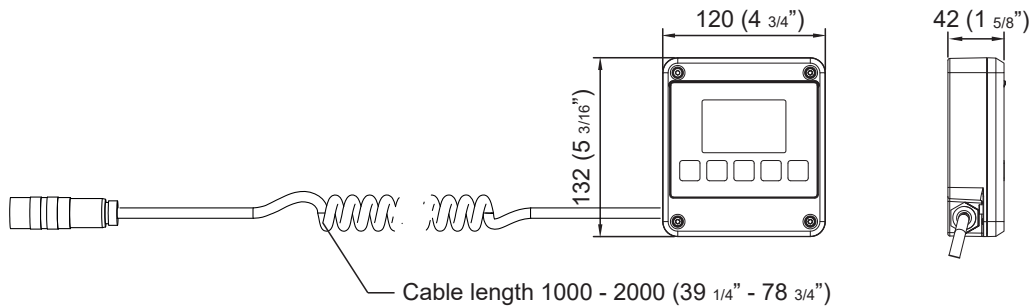


Cable Entry	Identification code Pos. 6
M20 x 1.5 Standard	S
3/4" NPT via adapter	C

U-Bolt size	Identification code Pos.
	4
1 1/2"	A
2"	B
3"	C

Dimensions in mm (inches)

## Portable HART SmartView



### Note:

The unit should be mounted in such a way that direct sunlight on display is minimized.

HART® is a registered trademark of HART Communication Foundation

### For More Information

To learn more about Honeywell's Enraf Small Volume Provers, visit [www.honeywellenraf.com](http://www.honeywellenraf.com) or contact your Honeywell account manager.

### Americas

Honeywell Enraf Americas, Inc.  
2000 Northfield Ct.  
Roswell, GA 30076  
USA  
Phone: +1 770 475 1900  
Email: [enraf-us@honeywell.com](mailto:enraf-us@honeywell.com)

### Europe, Middle East and Africa

Honeywell Enraf  
Delftechpark 39  
2628 XJ Delft  
The Netherlands  
Phone: +31 (0)15 2701 100  
Email: [enraf-nl@honeywell.com](mailto:enraf-nl@honeywell.com)

### Asia Pacific

Honeywell Pte Ltd.  
17 Changi Business Park Central 1  
Singapore 486073  
Phone: +65 6355 2828  
Email: [enraf-sg@honeywell.com](mailto:enraf-sg@honeywell.com)

HART® is a registered  
trademark of HART  
Communication Foundation

EN-09-09-ENG\_Rev.1  
May 2017  
© 2017 Honeywell International Inc.

**Honeywell**